

A French manufacturer of retractable straps on poles (big bands) is looking for a new supplier of cast iron base for the poles.

## Summary

Profile type	Company's country	POD reference
<b>Business request</b>	<b>France</b>	<b>BRFR20230621020</b>
Profile status	Type of partnership	Targeted countries
<b>PUBLISHED</b>	<b>Outsourcing agreement</b> <b>Supplier agreement</b>	<b>• World</b>
Contact Person	Term of validity	Last update
<b><u>Rita ELSTE - TOMSONE</u></b>	<b>21 Jun 2023</b> <b>20 Jun 2024</b>	<b>21 Jun 2023</b>

## General Information

### Short summary

The French company is specialized in safety markings and guidance by strip reels and webbing posts. The company wishes to engage in a supplier / outsourcing agreement with a foreign partner, in capacity to produce the desired parts.

### Full description

The French company with a 10 years experience, is looking for a service provider to take over the production of cast iron base for the poles.

The poles, paired with a retractable strap, allow the guidance of queues (in museums, events, administrations...) and/or the marking of safety perimeters (safety zones in manufacturing environments...). Clients are mostly industries in the field of nuclear, aeronautics, transport, metallurgy, logistics, chemistry activities.

The French company is the owner of the casted tool (mold) needed to produce the poles.

The poles should be finished with deburring, machining and paint finish by cataphoresis or other finishing technique. The company usually orders 200 pieces every 18 months. Technical details of the desired parts are shown below.

Advantages and innovations

---

Technical specification or expertise sought

Technical details of the desired parts are shown below.

---

Stage of development

**Already on the market**

Sustainable Development goals

• **Not relevant**

IPR Status

## Partner Sought

---

Expected role of the partner

The Partner sought must be a foundry / casting facility.

Type of partnership

**Outsourcing agreement**

**Supplier agreement**

Type and size of the partner

• **Big company**

• **SME <=10**

• **SME 11-49**

## Dissemination

---

Technology keywords

Market keywords

- **08003007 - Other industrial equipment and machinery**

Targeted countries

- **World**

Sector groups involved

## Media

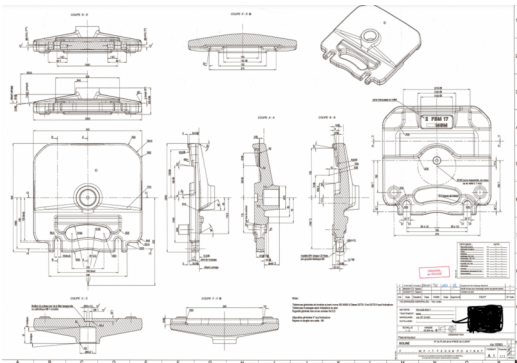
Images



[Photo 1.PNG](#)



[WIDE TAPE Embase mobile lourde.png](#)



[Photo 2.PNG](#)